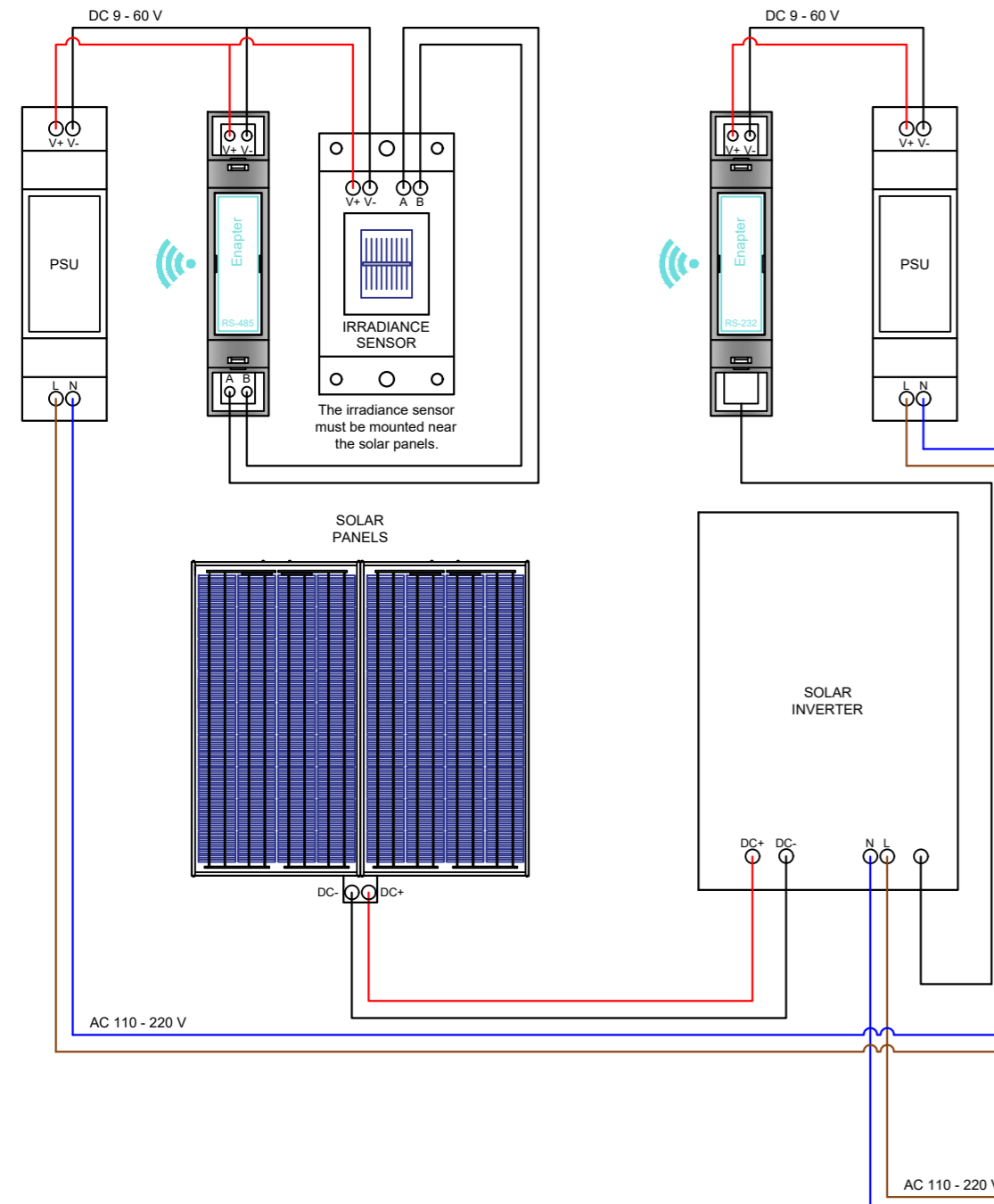
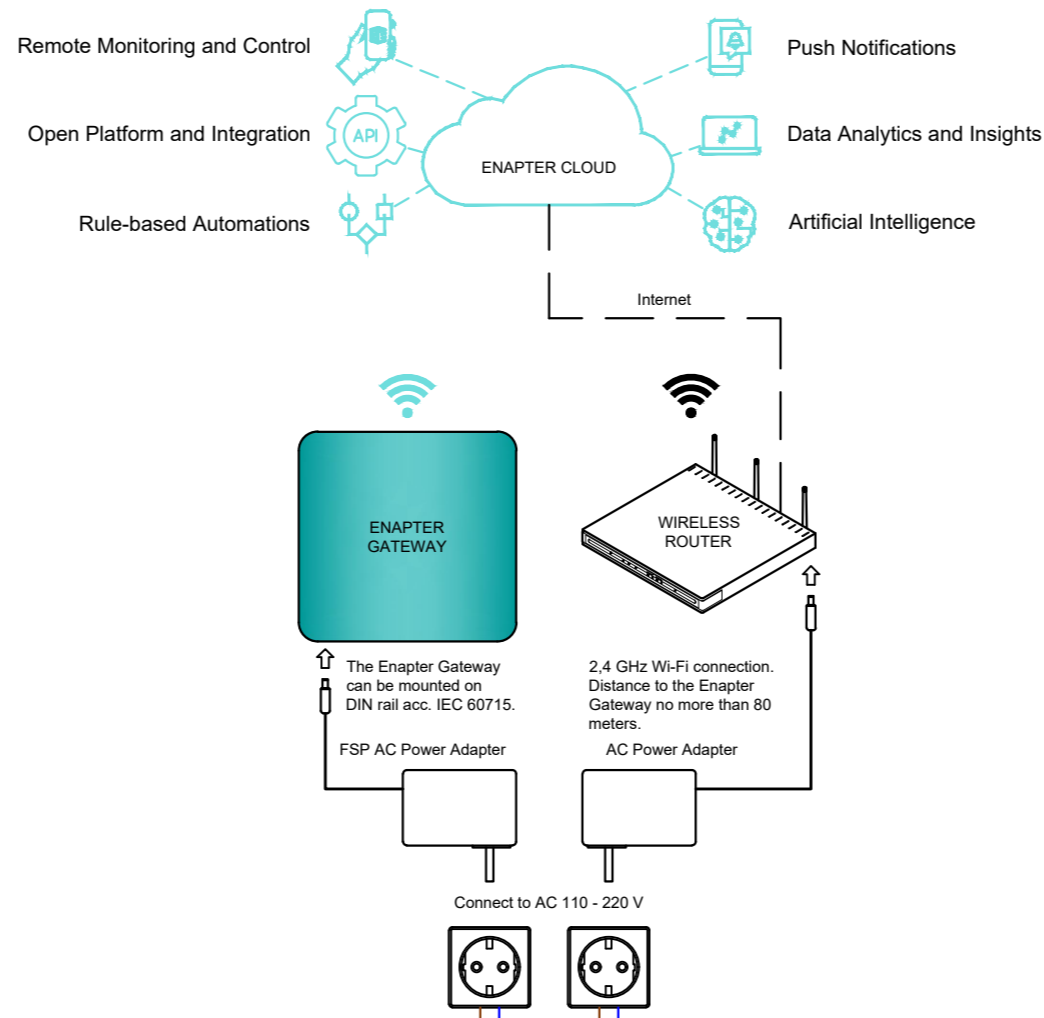


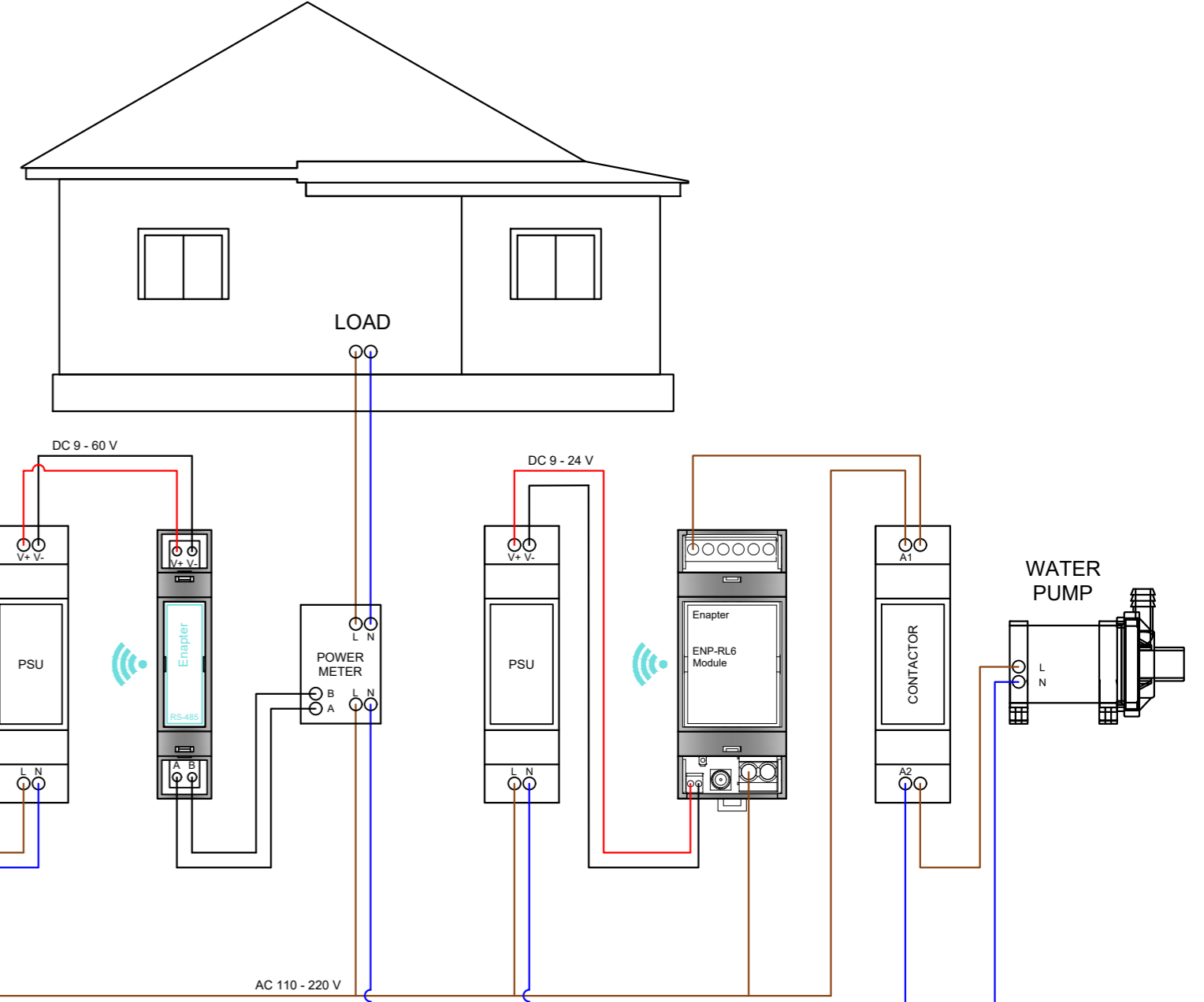
SOLAR SECTION



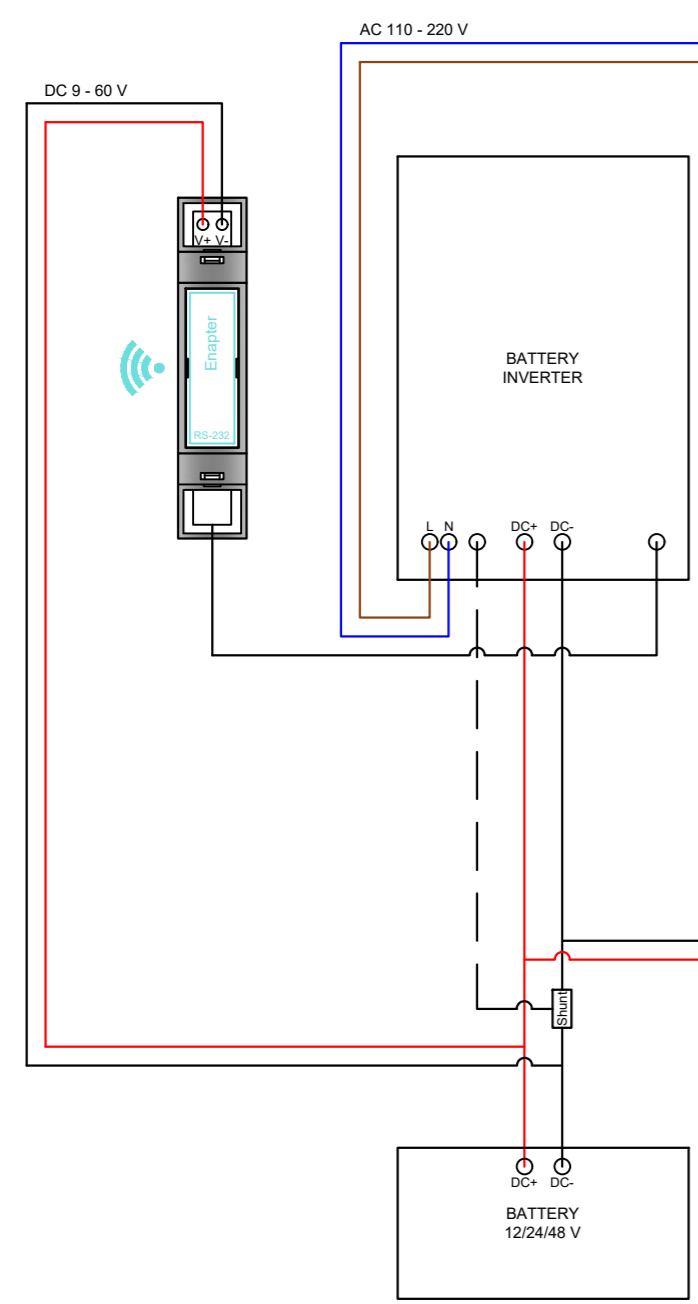
CONTROL AND MONITORING SECTION



LOAD SECTION



BATTERY STORAGE SECTION



HYDROGEN SECTION

