

# Enapter ENP-AI4-20MA Module Datasheet



## Analog Input Module

The Analog Input Module is used to receive data from analog devices with a 0...20 mA signal, RS-485 interface and Wireless connection is used for communication with the module. For example: a valve, a sensor and others. The Analog Input Module sends the collected data to the Enapter Gateway and Cloud via secure wireless connection.

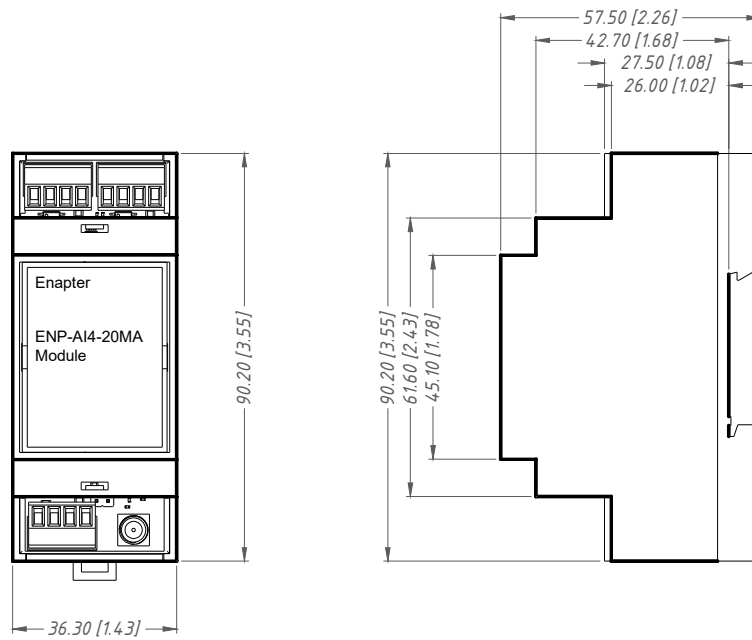


### Connected device

Type	Valve Sensor And others
Connection	Screw terminal block
Signal	0...20 mA
Signal resolution	16 bit
Galvanic isolation	Group, from controller circuits

### Dimensions

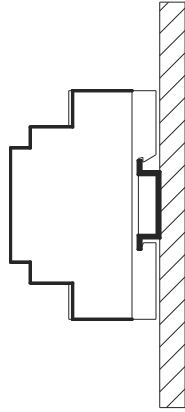
The dimensions are in mm and in brackets in inch.



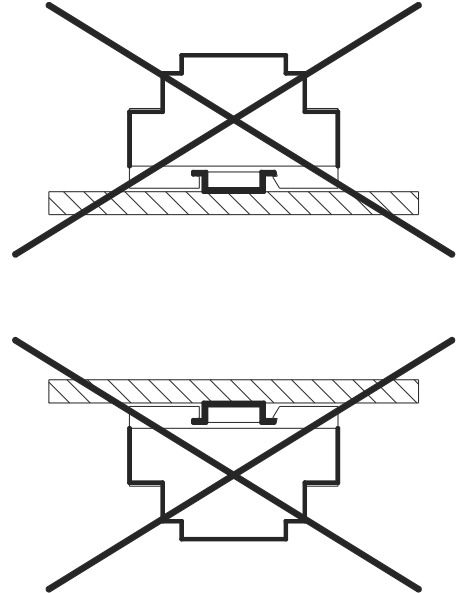
## Mounting

The ENP-AI4-20MA Module must be horizontally mounted on 35 mm DIN rail according to IEC 60715.

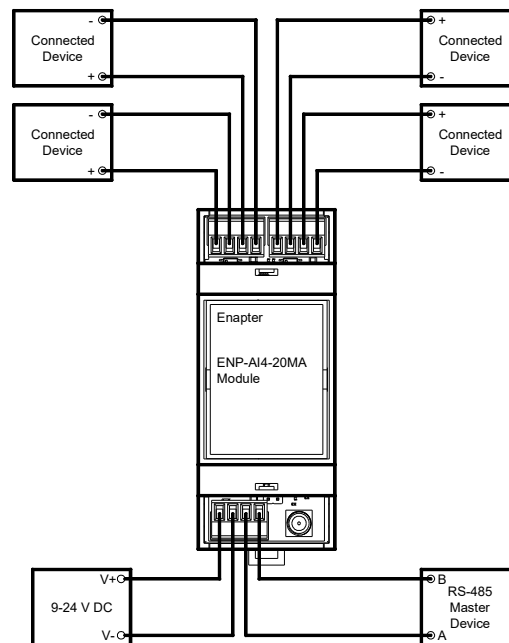
### Correct Mounting Position



### Incorrect Mounting Position



## Connection Examples



Note: 1 Amp Circuit Breaker recommended to use on power line for the ENP-AI4-20MA Module.

## Standards

Wi-Fi protocols – 802.11 b/g/n/e/i (802.11n up to 150 Mbit/s).

Bluetooth protocols – Bluetooth v4.2 BR/EDR and BLE specification.



**Alternating current voltage of 110 – 220 V is potentially lethal!**



**All works on assembly and installation should be performed only with a disconnected power supply!**



**The installation and assembly of electrical equipment must be carried out by electrically qualified persons.**

The appearance of the product may differ from the images presented on the website or in this manual. The discrepancy between the appearance and packaging of the goods with a picture and description on the website or this manual is not an indication of poor quality goods. The manufacturer reserves the right to make changes to the design and packaging of the product without prior notice.